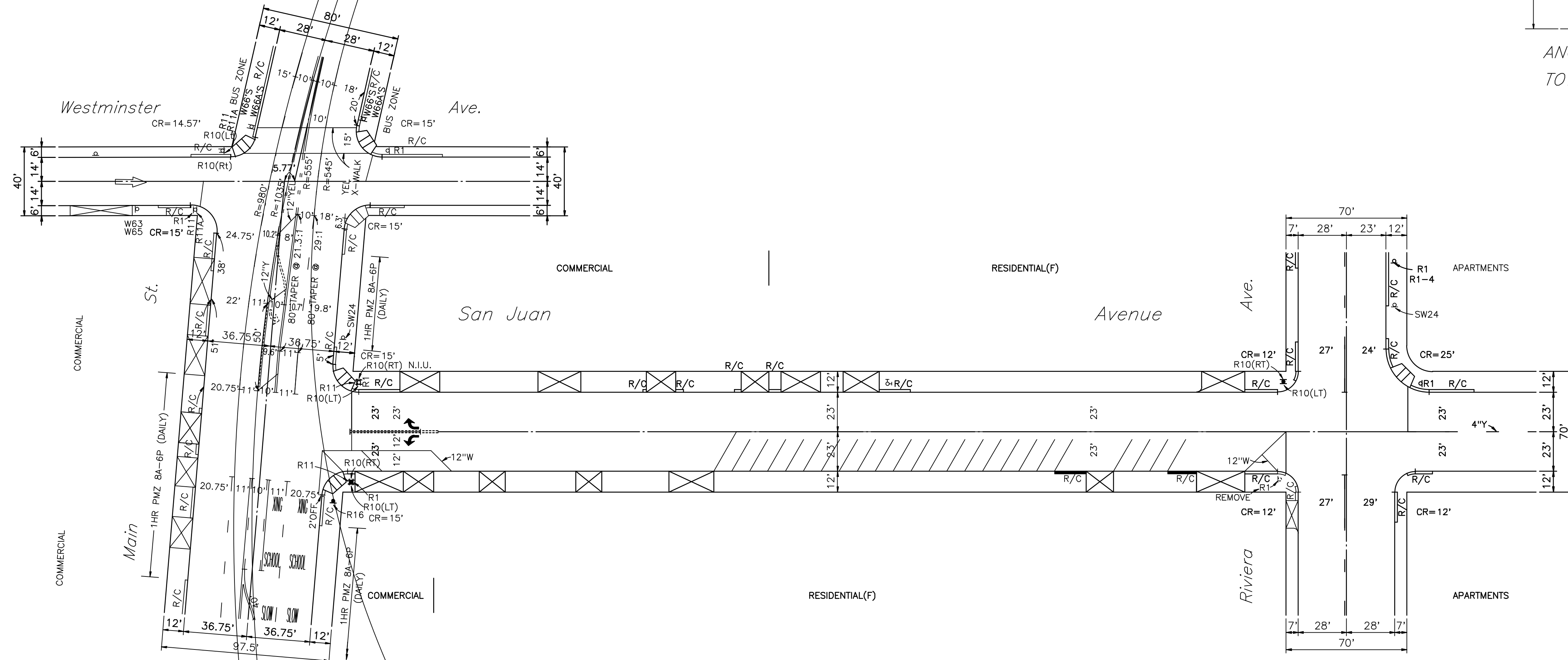
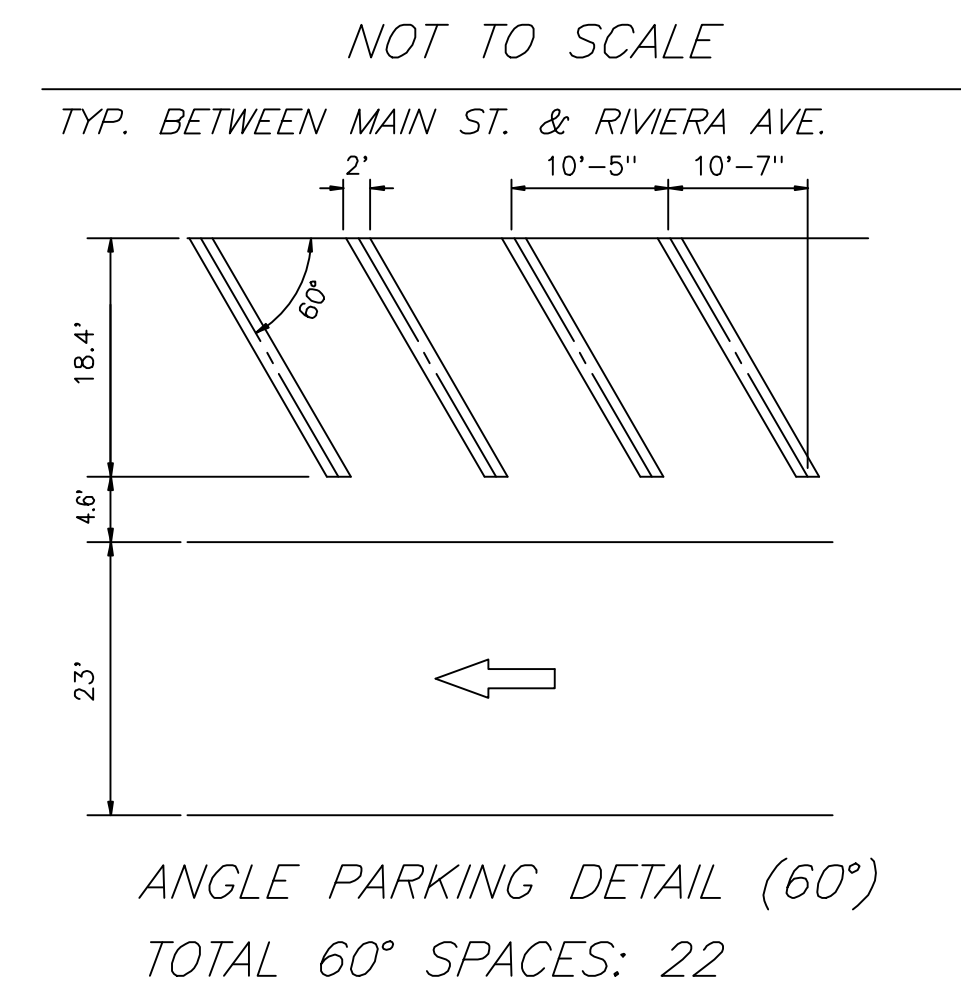


EXHIBIT C-5

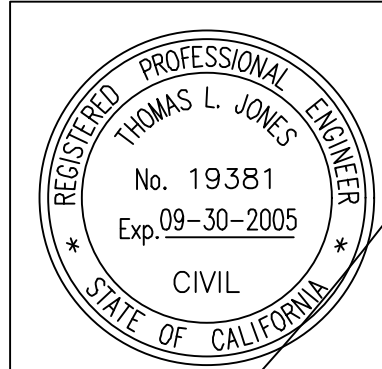
EXISTING PARKING ( ALL PARALELL PARKING) = 24  
 PROPOSED PARKING (PARALLEL AND ANGLE PARKING) = 32



- LEGEND**
- EXISTING STRIPING & MARKINGS TO REMAIN
  - EXISTING STRIPING & MARKINGS TO BE REMOVED
  - PROPOSED STRIPING & MARKINGS
  - EXISTING SIGNS
  - PROPOSED SIGNS
  - SIGNALIZED INTERSECTION
  - EXISTING RED CURB
  - PROPOSED RED CURB

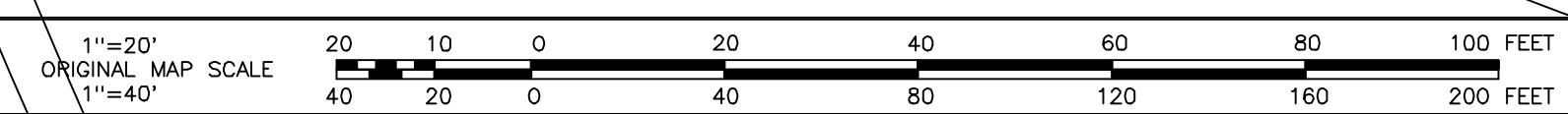
- NOTES**
- LENGTH OF DESIGN : 575' ±
  - PAINT REMOVAL REQUIRED.

DESIGN CONCEPT



VENICE PARKING PROJECT

SUBMITTED	MARCH 4, 20 04	RECOMMENDED	20	APPROVED	20
TIM CONGER	Transportation Engineer	Senior Transportation Engineer	Principal Transportation Engineer		
INSTALLATION DATES		CITY OF LOS ANGELES DEPARTMENT OF TRANSPORTATION WAYNE K. TANDA, GENERAL MANAGER			
MARKOUT BEGAN:		SAN JUAN AVENUE MAIN ST. TO RIVIERA AVE.			
MARKOUT COMPLETED:					
STRIPING COMPLETED:					
References:					
Thomas Guide	District	PROJECT NO.	DRAWING NO.		
671,H6	W	68746	A-3976	1	1



SCALES  
 HORIZ. 1" =  
 VERT. 1" =

SHEET

INDEX NUMBER

NO.	REVISION DESCRIPTION (NON CADD PLANS ONLY)	T.E.	SR. T.E.	PR. TRAN. ENGR.	DATE
BY	DATE	DATE	DATE	DATE	DATE
TC	3/2/04	12/1/2003	12/3/2003	3/2/04	
BASE FIELD	DESIGN	CHECK	DRAFTING	DISTRICT	SIGNALS
					BIKEWAYS